

QUICKSHEET

ACN52832

BT5 Smart Module



**MA:DE IN
GERMANY**

aconno™

Preamble

This document is a preface of a real datasheet and is meant to give you enough data for a quick start with this aconno product.

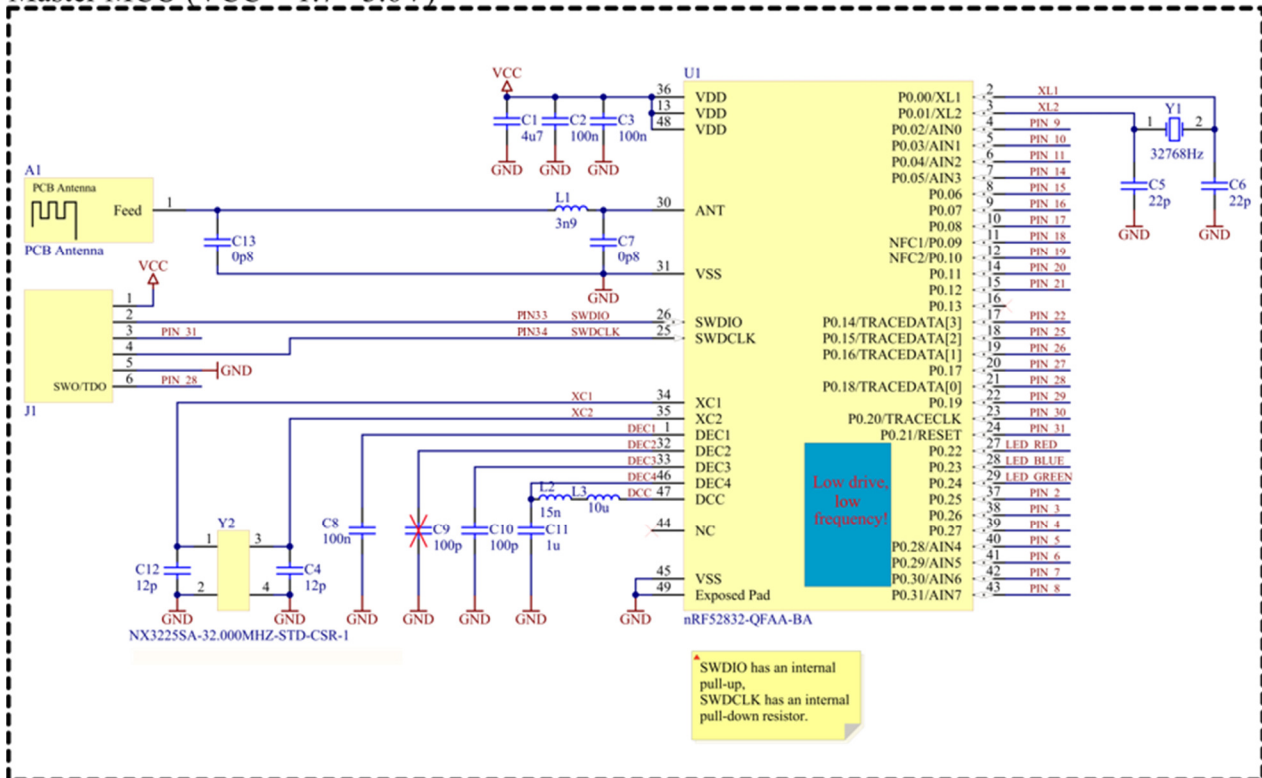
Please take all necessary data (e.g. temperature or voltage ranges) of the used components from the linked datasheets.

Environmental specifications

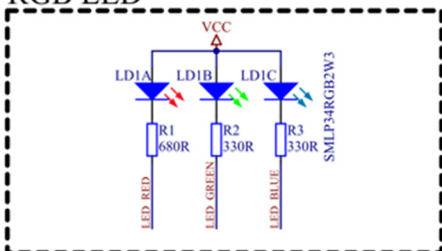
- ROHS conform
- Temperature range -40°C to +85°C
- EMI shielding
- 1.8V – 3.3V powered

Schematic

Master MCU (VCC = 1.7 - 3.6V)



RGB LED



Components

SoC: nRF52832 (<https://aconno.de/nrf52832>)

LED

